

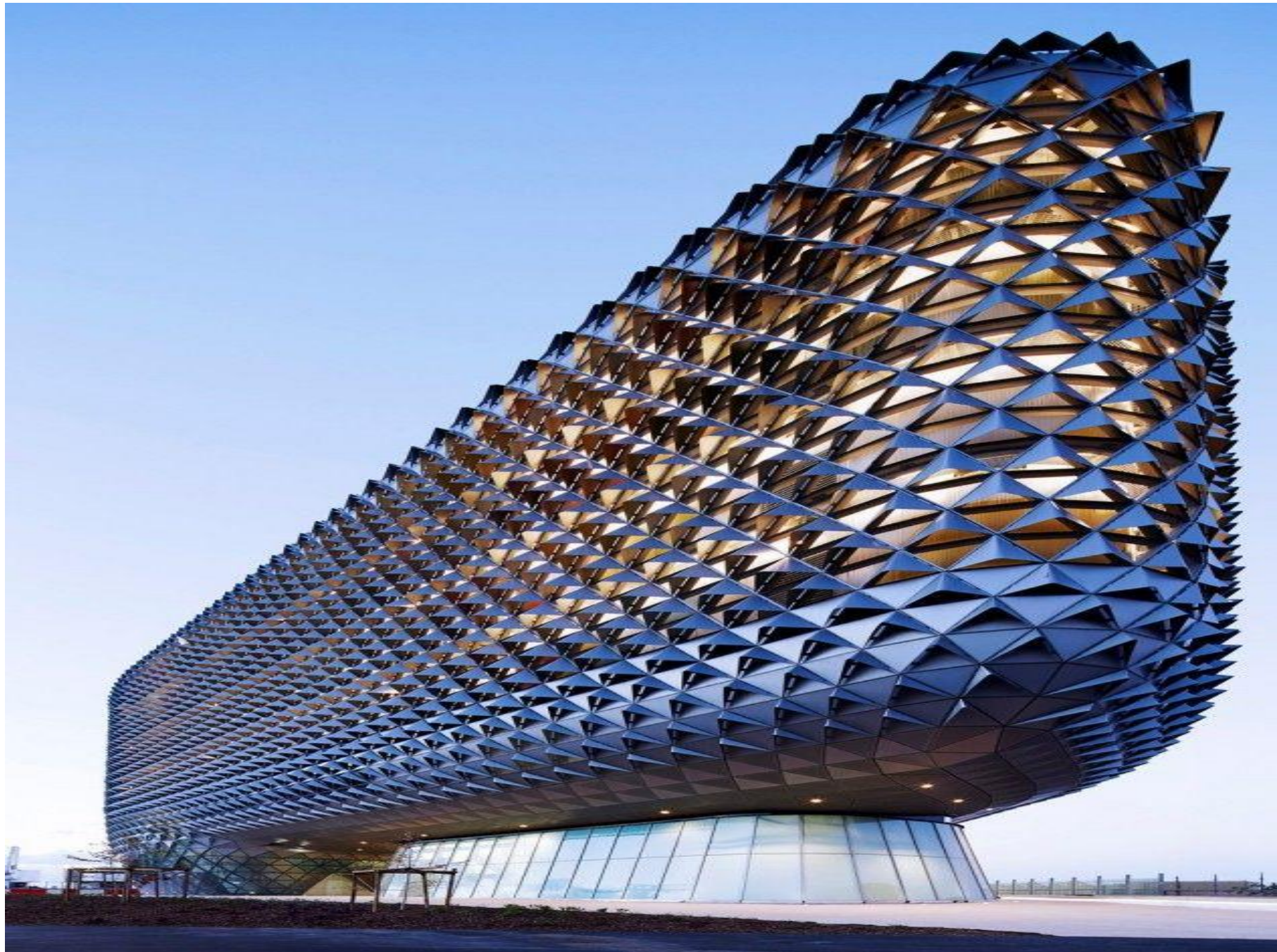


T.C. SANAYİ VE
TEKNOLOJİ BAKANLIĞI

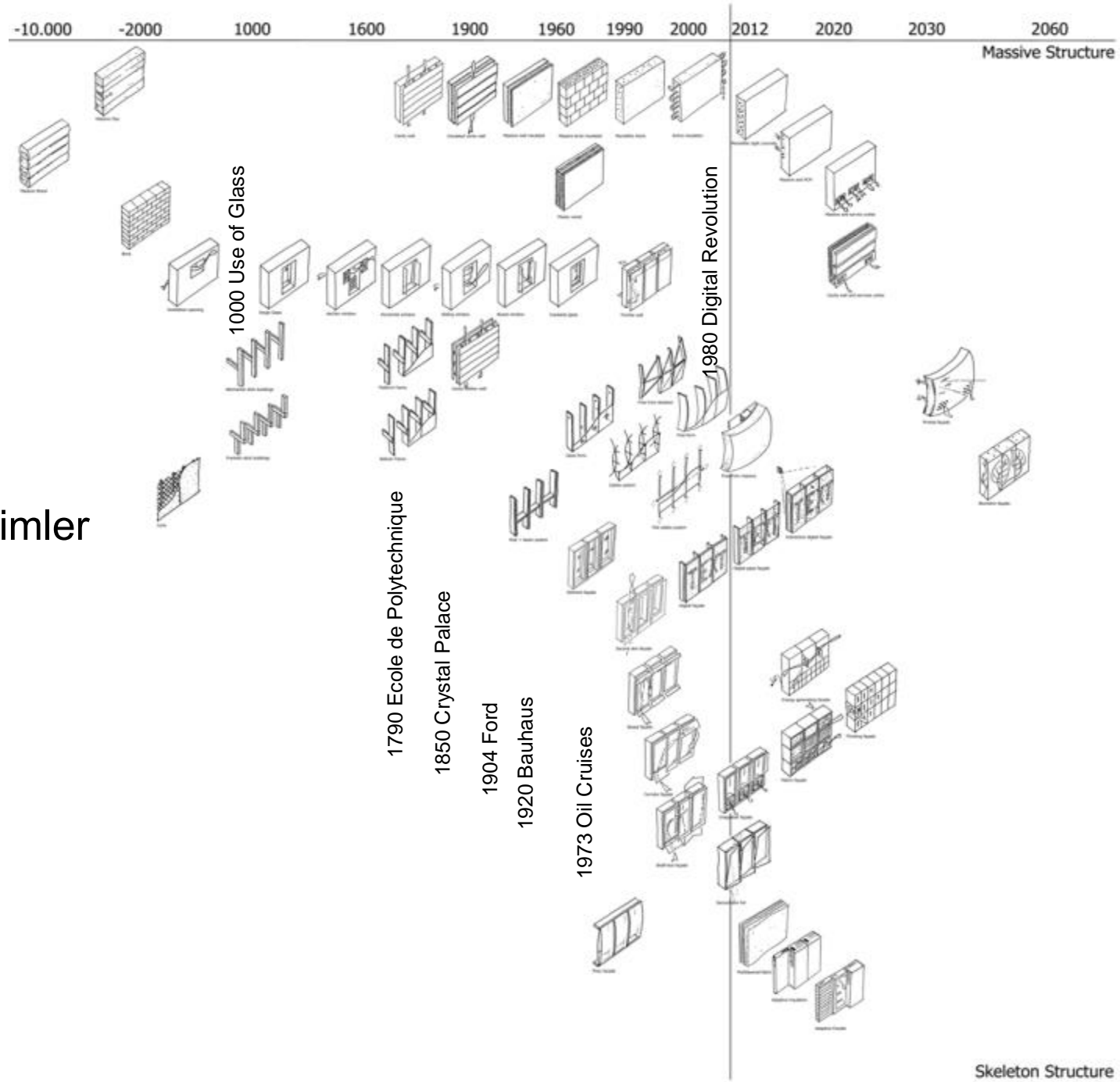
Cephe Akademi Mesleki Gelişim Eğitimi

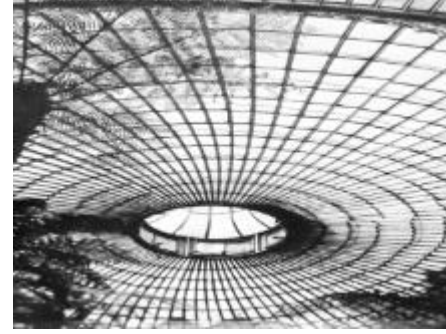
Ersoy Çakır
6.11.2019





Etkileşimler





Strüktürel Cam Cepenin Birincil Jenerasyonu



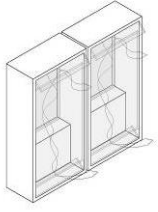
Strüktürel Cam Cephenin ikincil Jenerasyonu



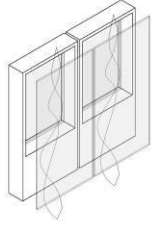
Serbest Form Cepheler



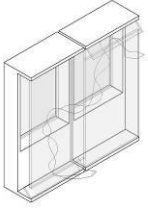
Çift Cepheler



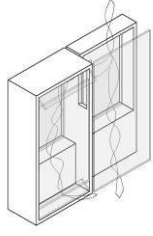
Kutu Pencere Cephe
boxed window facade



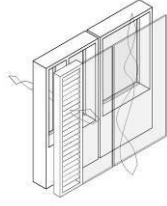
İkincil Kabuk Cephe
second skin facade



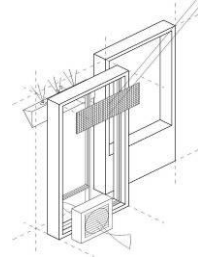
Koridor Cephe
corridor facade



Baca kutulu pencere cephe
chimney boxed window facade

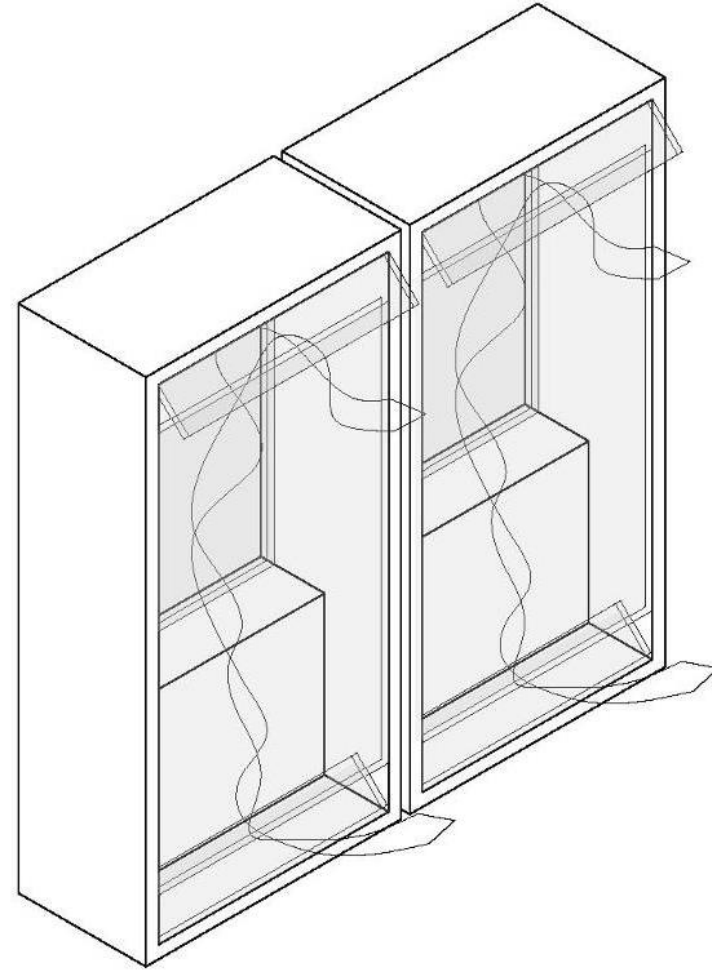


Değişken Cephe
alternating facade



Bileşken Cepheler
component facade

1. Kutu-Pencere
Kat Ykseklięinde - Kutu Tipi



1. Kutu-Pencere



1. Kutu-Pencere



2. İkincil Kabuk Cephe Çift Kabuklu

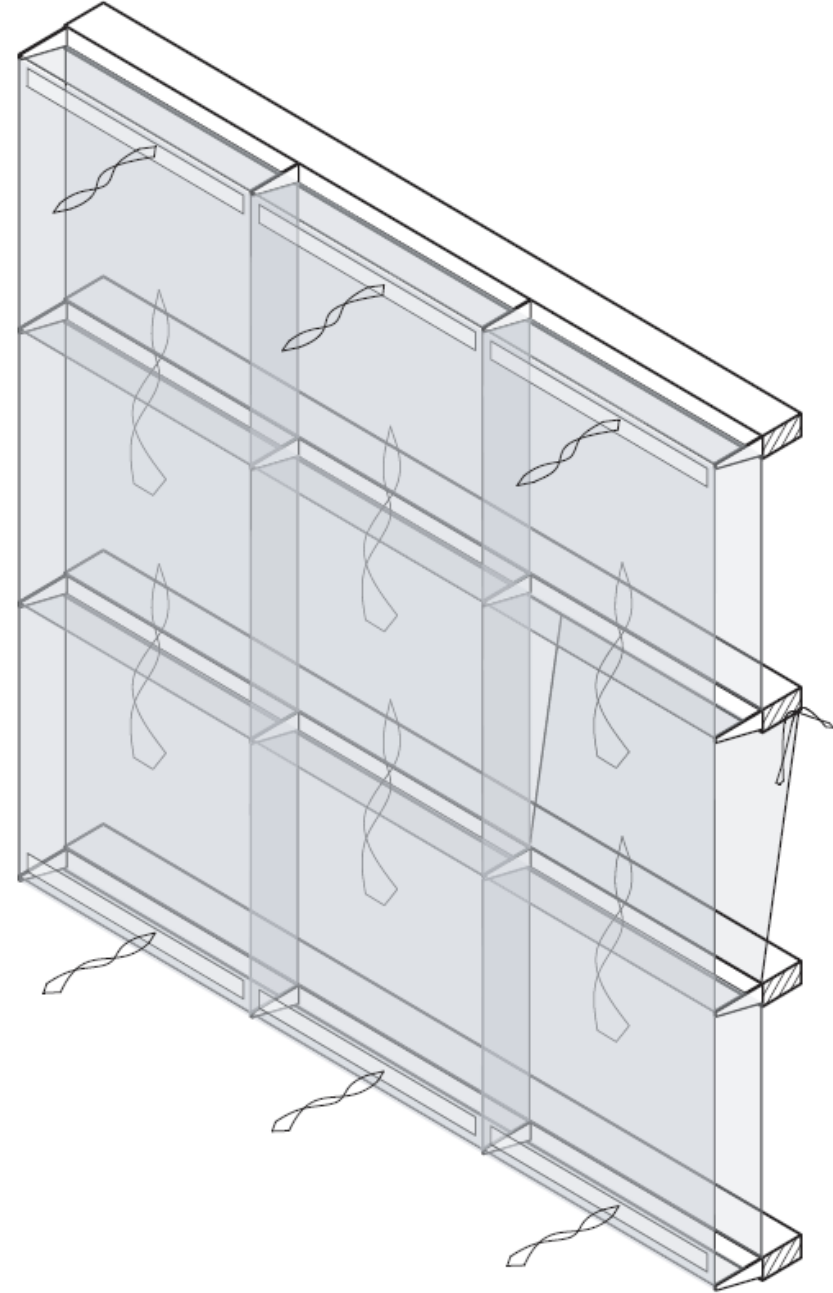
Üç Katmanlı

-Tek Tabaka Camı

- Havalandırmalı Boşluk (Doğal havalandırma, Mekanik Havalandırma veya Hibrid)

-İç Kabuk

Güneş kontrol elemanı genelde boşlukta yer alır.



2. İkincil Kabuk Cephe

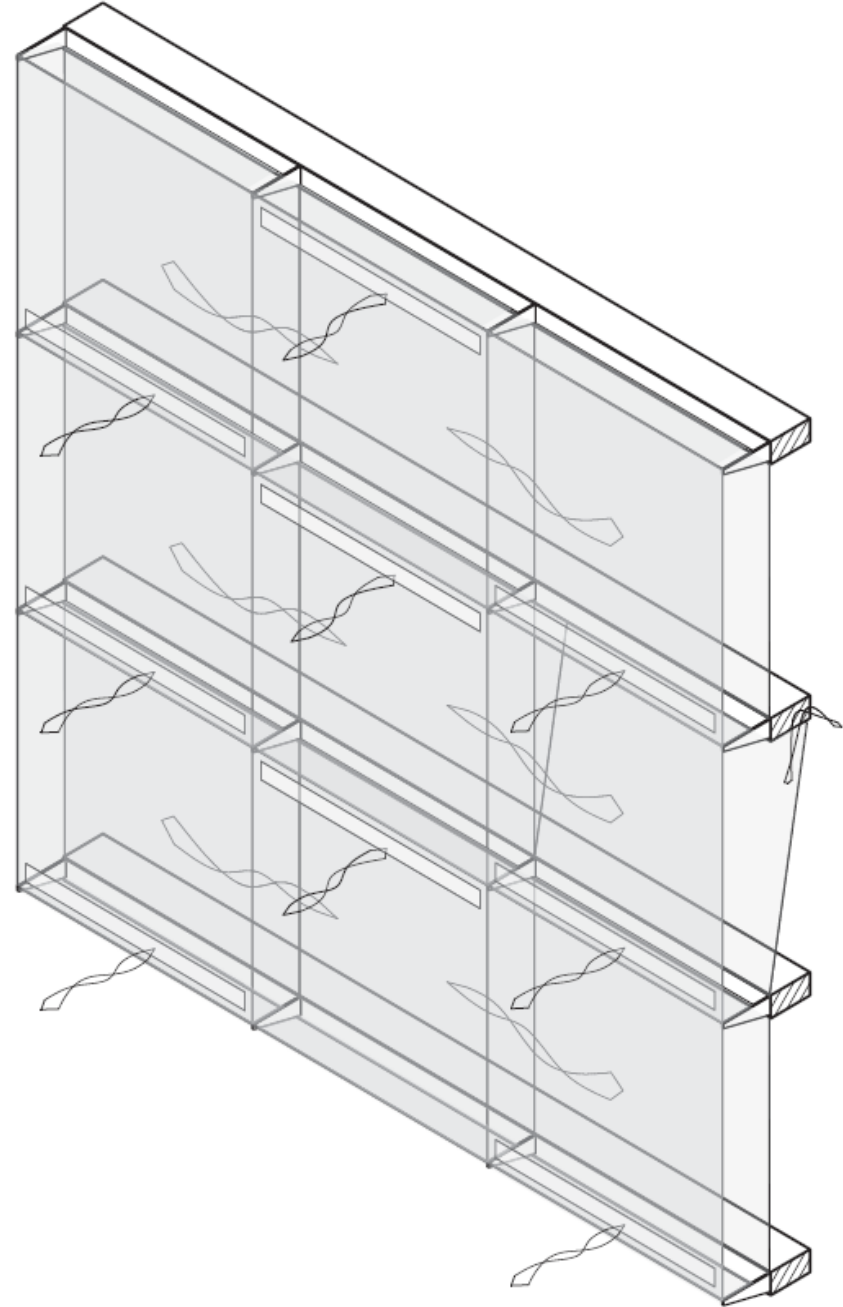


2. İkincil Kabuk Cephe



3. Koridor Cephe

Kat Yüksekliğinde – Koridor Tipi

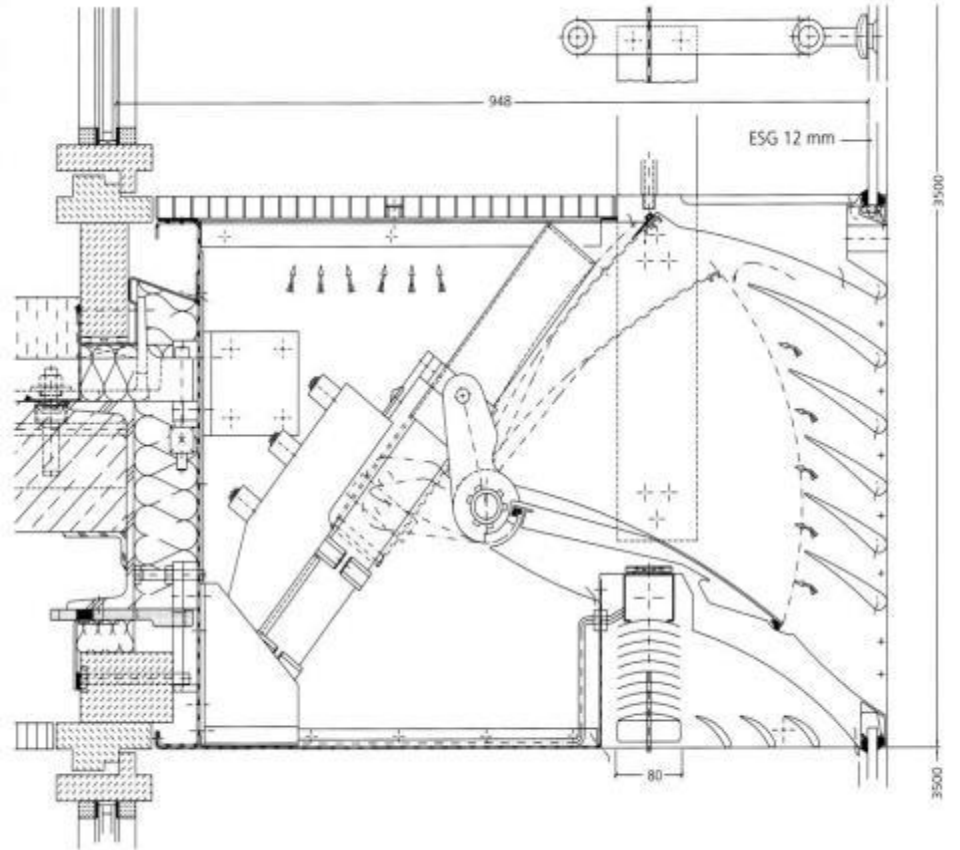
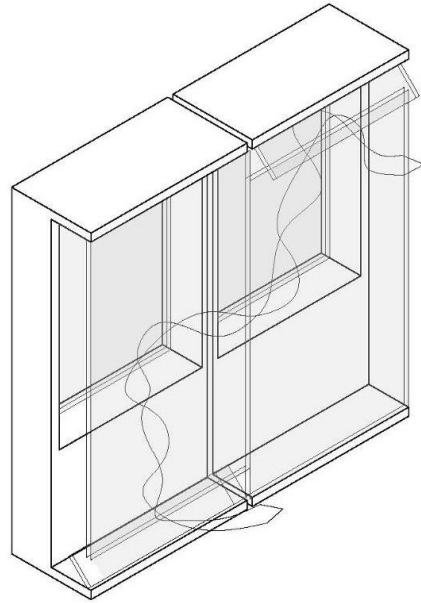


3. Koridor Cephe

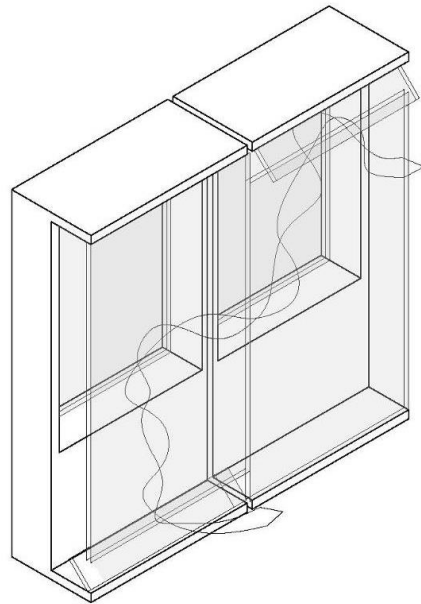


Stadttor Düsseldorf, Petzinka und Partner

3. Koridor Cephe



3. Korridor Cephe



Stadttor Düsseldorf, Petzinka und Partner

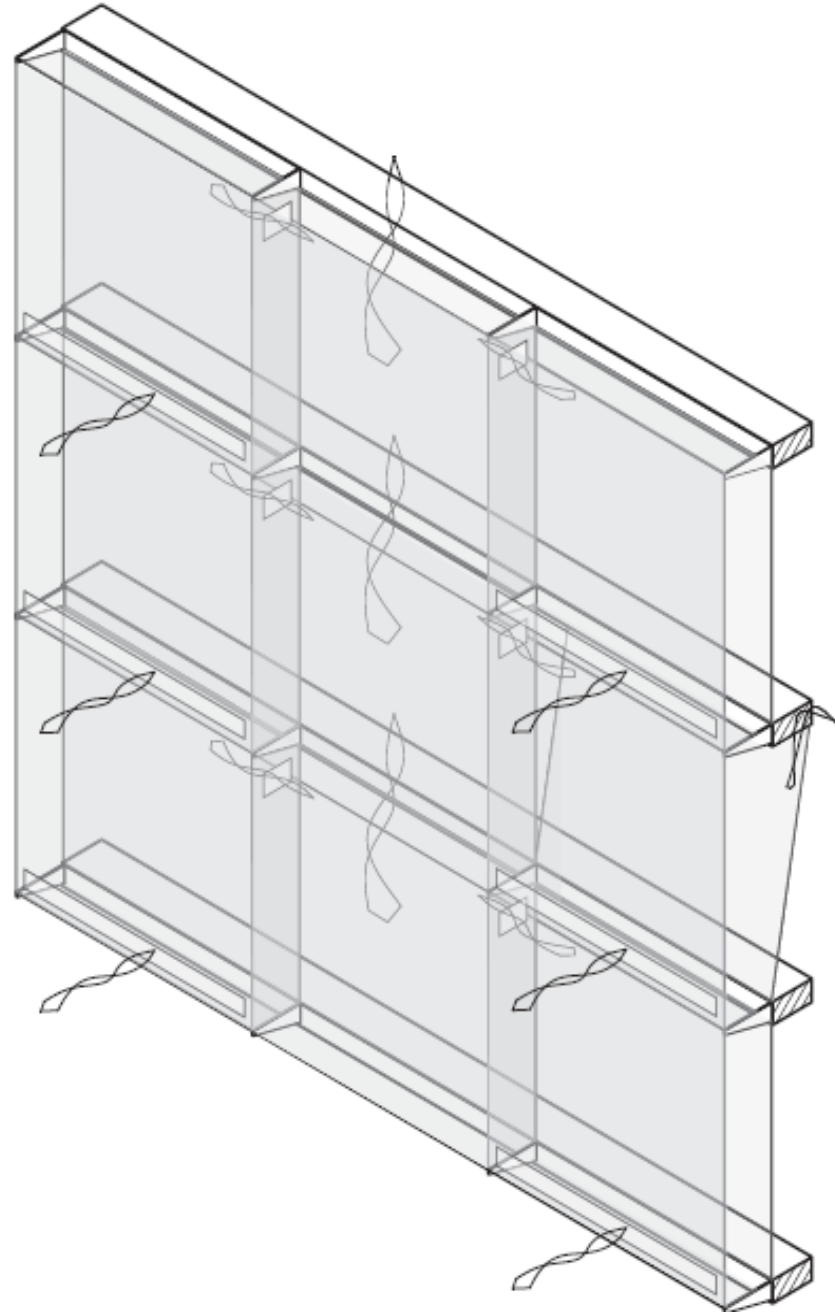


3. Koridor Cephe

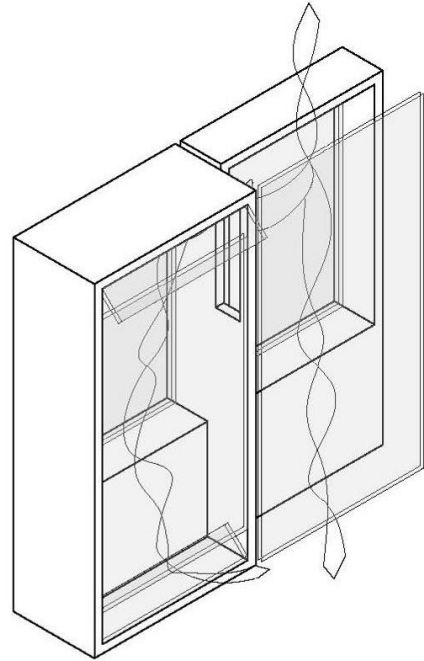


4. Baca-Kutu-Pencere

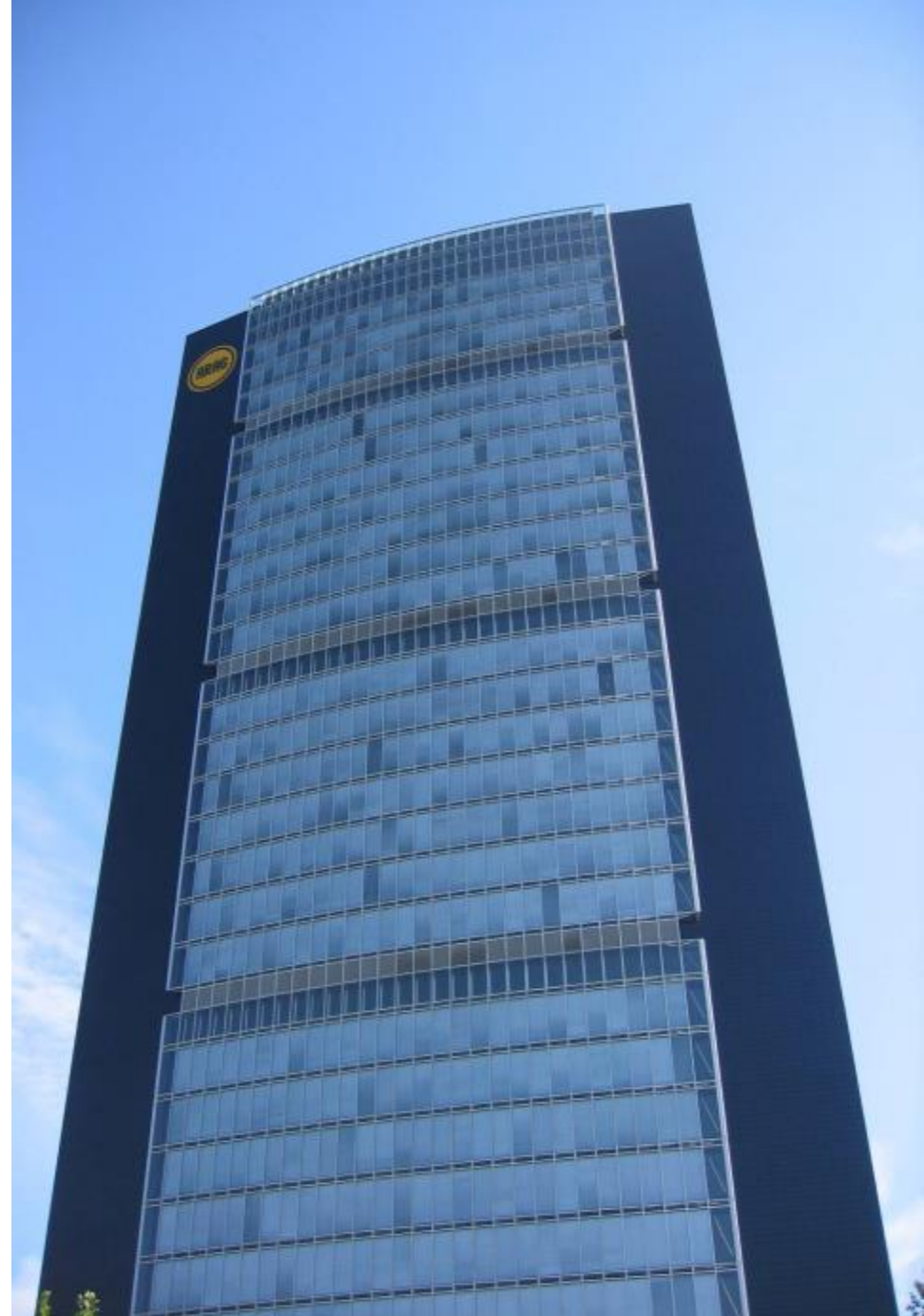
Kat Yüksekliğinde – Şaft Kutu Tipi



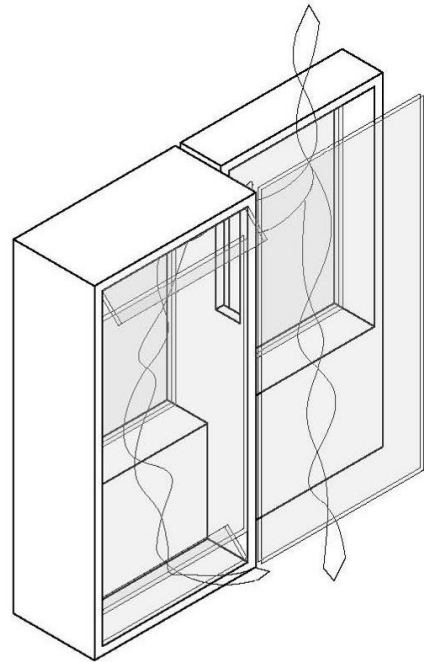
4. Baca-Kutu-Pencere



ARAG Düsseldorf, Foster / RKW Architekten



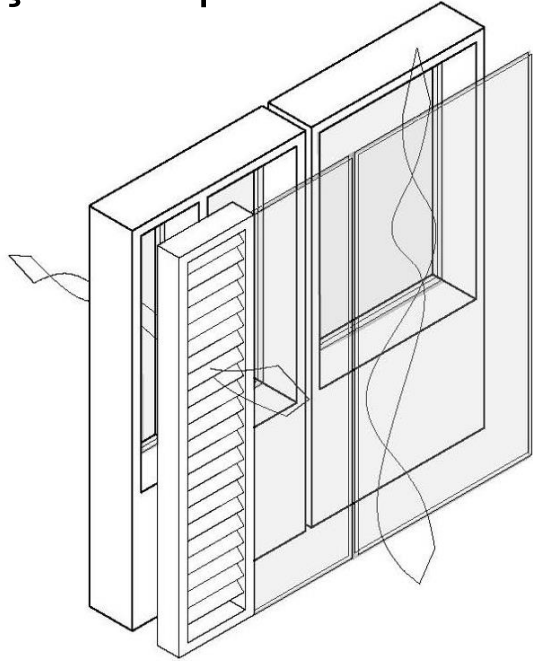
4. Baca-Kutu-Pencere



ARAG Düsseldorf, Foster / RKW Architekten



5. Değişken Cephe



Debitel Stuttgart, RKW Architekten



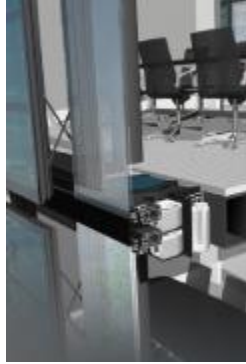
5. Değişken Cephe



'Wechselfassade' : Schüco

5. Değişken Cephe





6.Bileşken Cepheler

Llody's of London

Posttower Bonn

TE-Devinimli Cephe

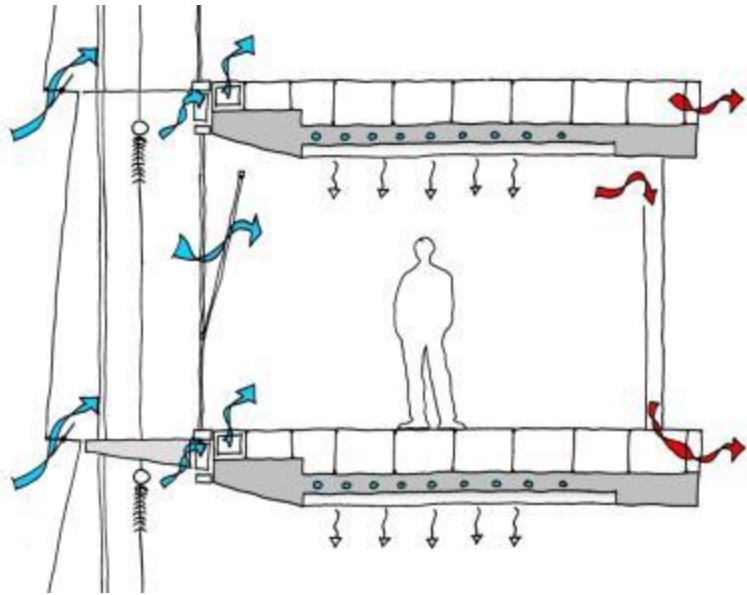
Integral Cephe

Akıllı Kutu Enerji Cephesi

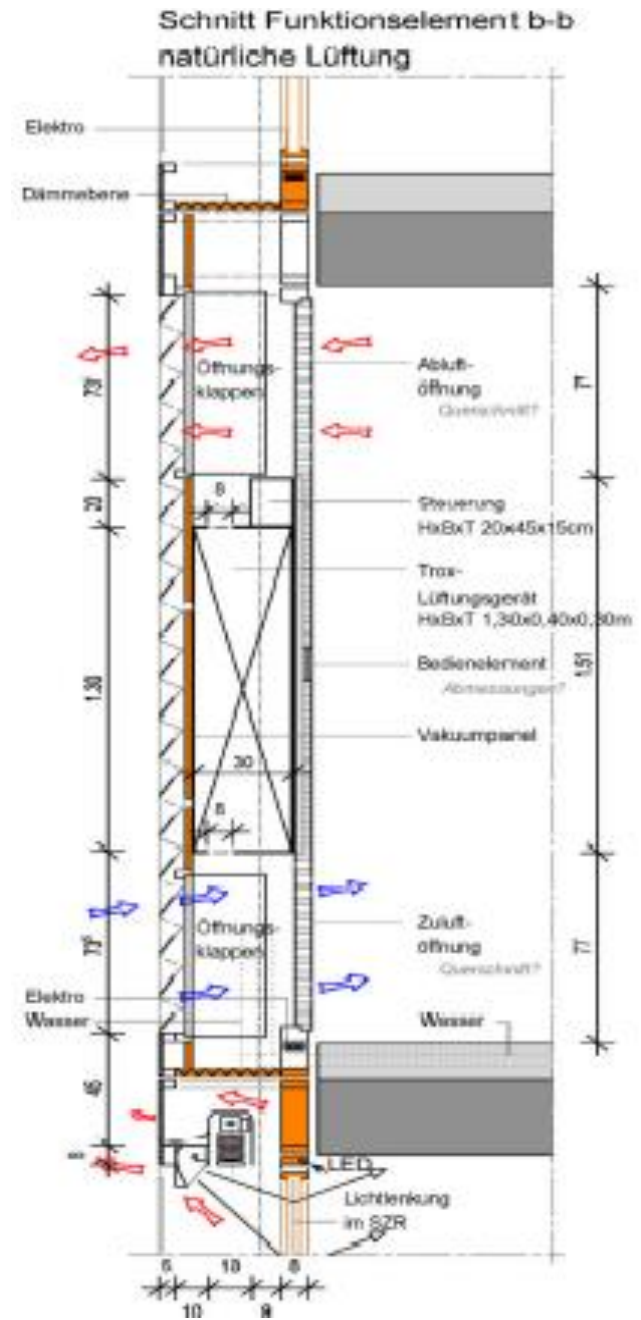
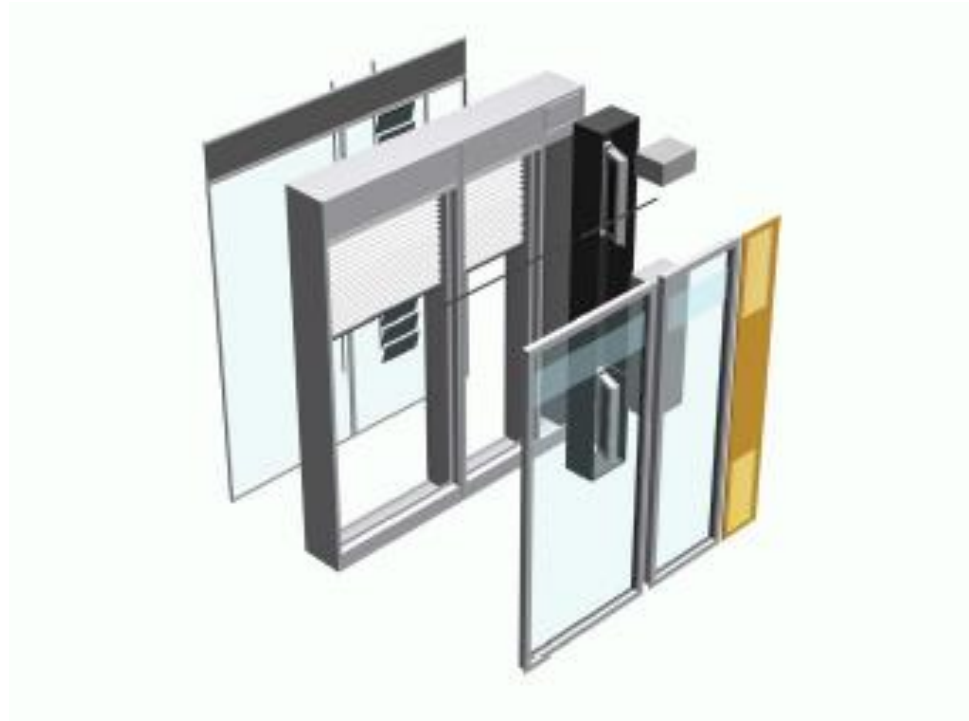
E² Cephe

Aktif Cephe

Post Tower Bonn



TE-Devinimli Cephe



TE-Devinimli Cephe



TE-Devinimli Cephe



Integral Cephe



Integral Cephe

Isıtma, Soğutma

Havalandırma

Gölgeleme

Yapay Havalandırma

Enerji Üretimi



Akıllı Kutu Enerji Cephesi

home the box the project the team downloads



The Smartbox energy facade is an innovative facade concept that optimizes the use of passive and active solar energy and dynamically regulates the indoor climate. It improves daylight entrance with window integrated retroreflective lamella's, delivers energy saving with high insulating vacuum panels and generates energy with integrated photovoltaic modules.

The 'smartbox' is a small, facade integrated, unit that incorporates all climate control functions like cooling, heating and ventilation with heat and moisture recovery. It enables you to:

- reduce energy use with over 50%,
- reduce building costs,
- reduce installation costs,
- choose from various modular variants.

view product animation high | low

facade integrated installations

smartbox energy facade © 2006 | contact

home the box the project the team downloads



The Smartbox facade system is a result of the R&D project Zon-WEL. Zon-WEL is a Dutch acronym for the utilization of Solar Warmth, Electricity and Light. Aim of the project was the development of an 'active' facade concept that uses active and passive solar energy and intelligence in the facade.

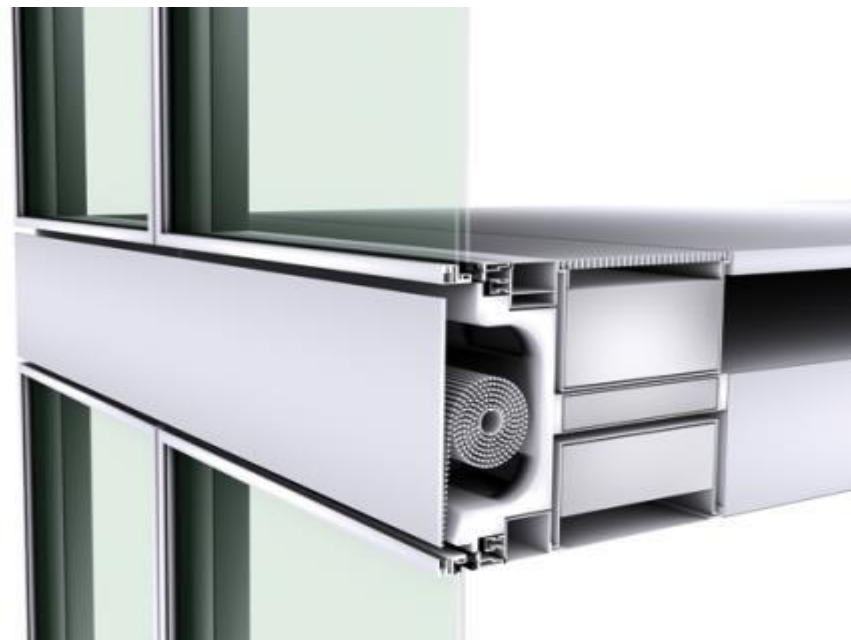
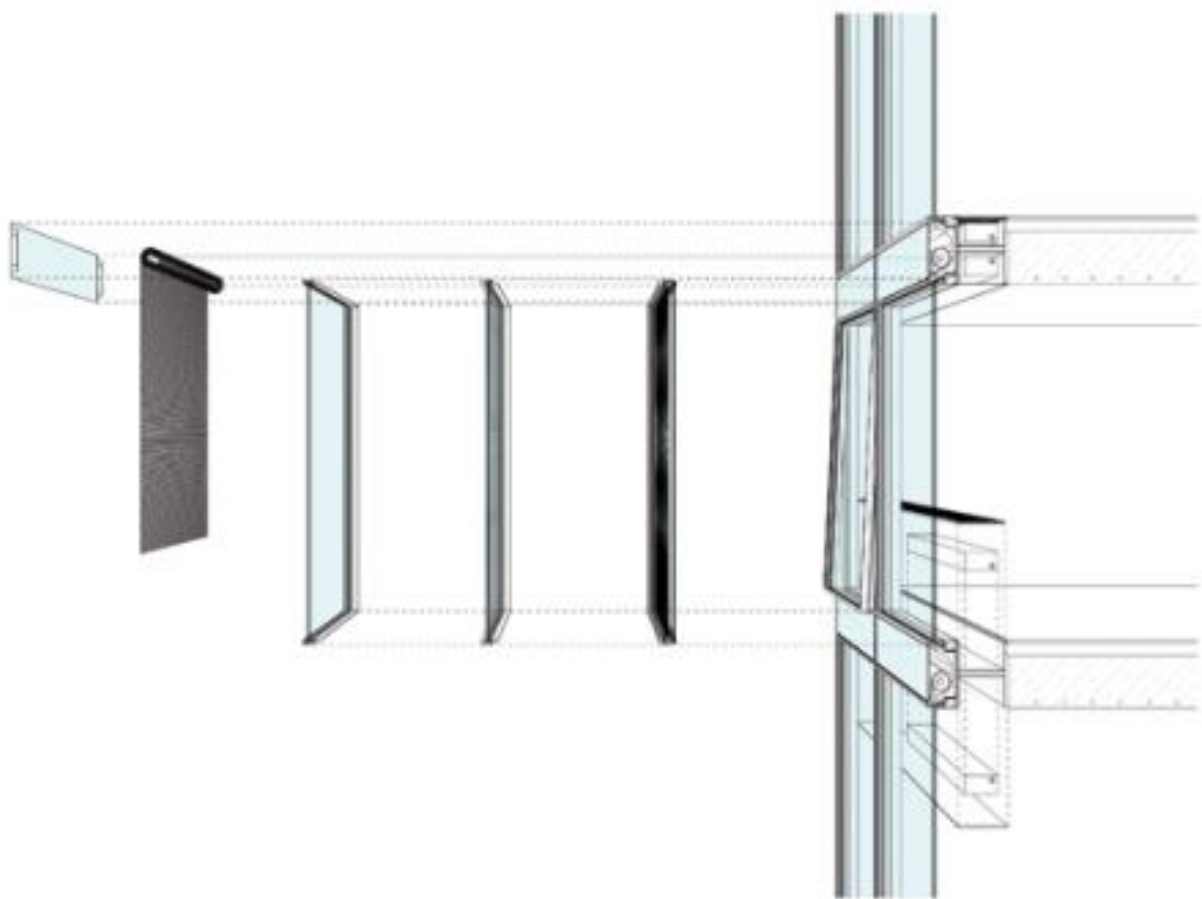
This project is carried out with subsidy of the programme E.E.T. (Economy, Ecology, Technology) a joint initiative of the Ministries of Economic Affairs, the Ministry of Education, Culture and Sciences and the Ministry of Housing, Spatial planning and the Environment.

The result of the project is a potential 50% reduction of building related energy use at market conformable prices, combined with improved comfort.

no piping, no false ceiling

smartbox energy facade © 2006 | contact

E² Cephe



NEXT 
ACTIVE FACADES

 **ALCOA** architectuursystemen

cepezed

DELTA 
 NEDERLAND B.V.

somfy

 **hurks**

TROX® TECHNIK

